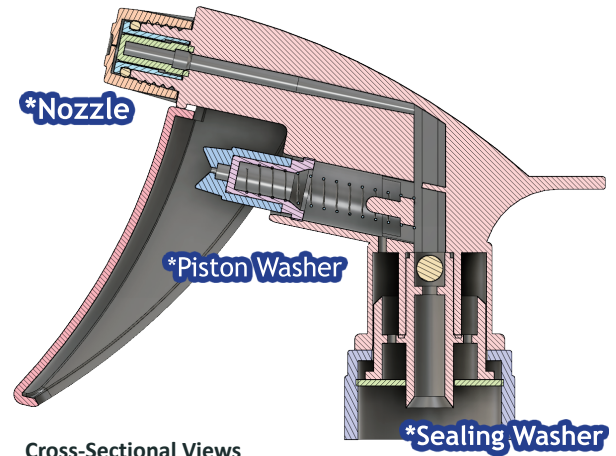


# Trigger Sprayer Technical Data Sheet

Plum Series

## Gray Chemical Resistant Trigger Sprayer Item No.: SBS8085VT



Cross-Sectional Views



Assembly Drawing

S/N	Name	Material	Remark
1	Body	Poly Propylene (P.P.)	
2	Ball	316 Stainless Steel	
3	Neck Collar	Poly Propylene (P.P.)	
4	Screw Cap	Poly Propylene (P.P.)	
5	Sealing Washer	PE	*Optional
6	Spring	316 Stainless Steel	
7	Piston Washer	Viton Rubber (FKM)	*Optional
8	Piston	Poly Propylene (P.P.)	
9	Spin Element	Poly Propylene (P.P.)	
10	O Ring	NBR Rubber (N70)	
11	Nose Bushing	Poly Propylene (P.P.)	
12	Nozzle	Poly Propylene (P.P.)	*Optional
13	Trigger	Poly Propylene (P.P.)	

### Viton (FKM) Property Comparison

Oil and Fuel Resistance: A+  
 Animal and Vegetable Oil Resistance: A+  
 Alcohol Resistance: A  
 Alkaline Resistance: B  
 Acid Resistance: A  
 Aliphatic-solvent Resistance : Aliphatic: A+  
 Aliphatic-solvent Resistance : Aromatic: A+  
 Oxygen Atead-solvent Resistance: D  
 Water Resistance: A

Disadvantages: Not suitable for use in polar solvents such as ketones, ozone, nitro hydrocarbons, MEK and chloroform.

*The above information is only for reference.  
 It must be subjected to the spray test in advance according to the actual conditions of use to confirm its safety.*

#### 1. Nozzle Optional: Plastic PP, or Brass.

Please note: Copper nozzles are primarily used to enhance the chemicals resistance of the trigger during spraying.



#### 2. Piston Washer Optional: NBR, or EPDM, or VITON.

Our trigger sprayers are available in three kinds of piston rubber parts for different chemical resistance used.



#### 3. Sealing Washer Optional: PE or HDF.

Please note: especially when some plastic bottles are soft, it is easy to cause water leakage. In this case, a gasket is needed.



*HDF aka High-Density Foam*