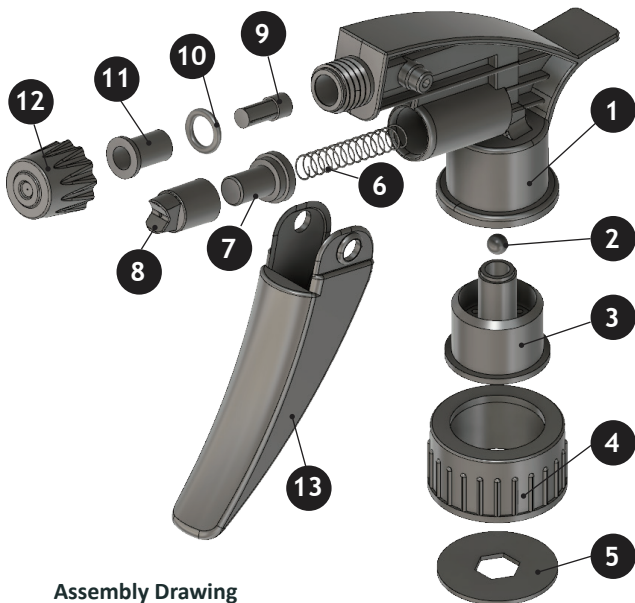


## Gray Chemical Resistant Trigger Sprayer Item No.: SBS858501



Assembly Drawing

S/N	Name	Material	Remark
1	Body	Poly Propylene (P.P.)	
2	Ball	316 Stainless Steel	
3	Neck Collar	Poly Propylene (P.P.)	
4	Screw Cap	Poly Propylene (P.P.)	
5	Sealing Washer	PE	*Optional
6	Spring	316 Stainless Steel	
7	Piston Washer	NBR Rubber (N70)	*Optional
8	Piston	Poly Propylene (P.P.)	
9	Spin Element	Poly Propylene (P.P.)	
10	O Ring	NBR Rubber (N70)	
11	Nose Bushing	Poly Propylene (P.P.)	
12	Nozzle	Poly Propylene (P.P.)	*Optional
13	Trigger	Poly Propylene (P.P.)	

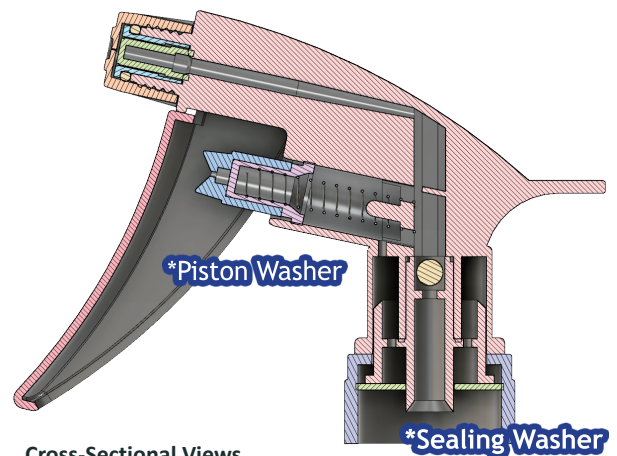
### NBR (Nitrile Rubber) Property Comparison

Oil and Fuel Resistance: A  
 Animal and Vegetable Oil Resistance: A+  
 Alcohol Resistance: A  
 Alkaline Resistance: A  
 Acid Resistance: A  
 Aliphatic-solvent Resistance : Aliphatic: A+  
 Aliphatic-solvent Resistance : Aromatic: B  
 Oxygen Ateed-solvent Resistance: D  
 Water Resistance: A

Disadvantages: Not suitable for use in polar solvents such as ketones, ozone, nitro hydrocarbons, MEK and chloroform.

*The above information is only for reference.  
 It must be subjected to the spray test in advance according to the actual conditions of use to confirm its safety.*

### \*Nozzle



Cross-Sectional Views

1. Nozzle Optional: PP, or Brass.
2. Piston Washer Optional: NBR, or EPDM, or VITON.
3. Sealing Washer Optional: PE, or HDF.

