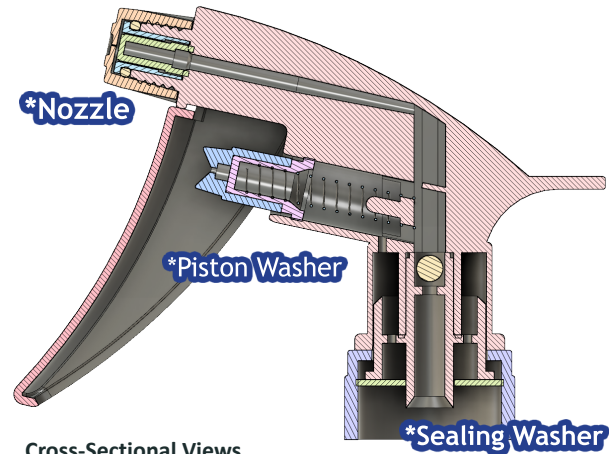


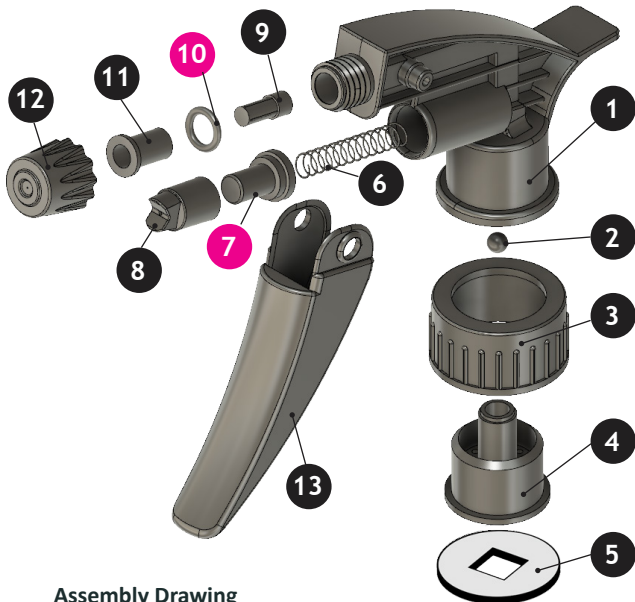
Trigger Sprayer Technical Data Sheet

Plum Blossom Series

White Chemical Resistant Trigger Sprayer
Item No.: SBS909004



Cross-Sectional Views



Assembly Drawing

S/N	Name	Material	Remark
1	Body	Poly Propylene (P.P.)	
2	Ball	316 Stainless Steel	
3	Screw Cap	Poly Propylene (P.P.)	
4	Neck Collar	Poly Propylene (P.P.)	
5	Sealing Washer	PE	*Optional
6	Spring	316 Stainless Steel	
7	Piston Washer	NBR Rubber (N70)	*Optional
8	Piston	Poly Propylene (P.P.)	
9	Spin Element	Poly Propylene (P.P.)	
10	O Ring	NBR Rubber (N70)	*Optional
11	Nose Bushing	Poly Propylene (P.P.)	
12	Nozzle	Poly Propylene (P.P.)	*Optional
13	Trigger	Poly Propylene (P.P.)	

NBR (Nitrile Rubber) Property Comparison

Oil and Fuel Resistance: A
 Animal and Vegetable Oil Resistance: A+
 Alcohol Resistance: A
 Alkaline Resistance: A
 Acid Resistance: A
 Aliphatic-solvent Resistance : Aliphatic: A+
 Aliphatic-solvent Resistance : Aromatic: B
 Oxygen Ate-d-solvent Resistance: D
 Water Resistance: A

Disadvantages: Not suitable for use in polar solvents such as ketones, ozone, nitro hydrocarbons, MEK and chloroform.

*The above information is only for reference.
 It must be subjected to the spray test in advance according to the actual conditions of use to confirm its safety.*

1. Nozzle Optional: Plastic PP, or Brass.

Please note: Copper nozzles are primarily used to enhance the chemicals resistance of the trigger during spraying.



2. Piston Washer Optional: NBR, or VITON.

Our trigger sprayers are available in three kinds of piston rubber parts for different chemical resistance used.



3. Sealing Washer Optional: PE or HDF.

Please note: especially when some plastic bottles are soft, it is easy to cause water leakage. In this case, a gasket is needed.



HDF aka High-Density Foam